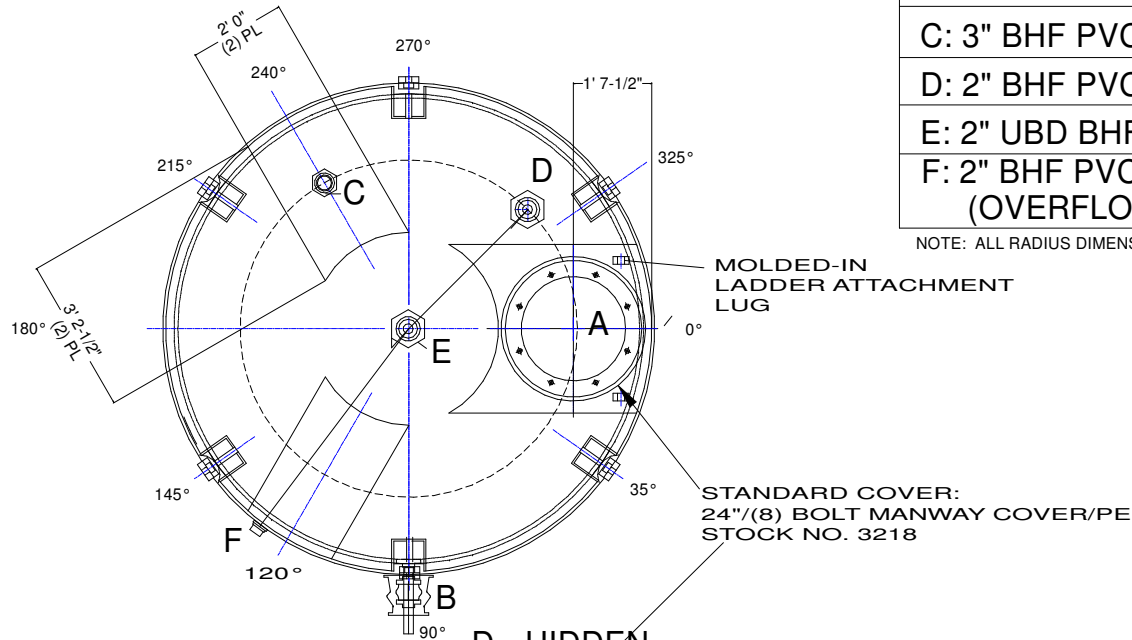


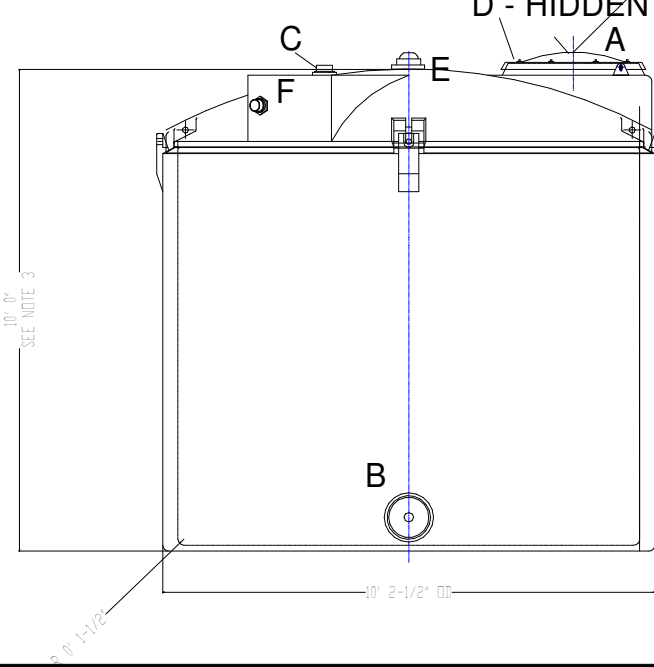
- A: 24" MANWAY LID 0 DEGREES 42" RADIUS
- B: 2" BOSS FITTING/TRANSITION FITTING/FLEXIJOUNT FITTING PVC/EPDM/316SS/PTFE 90 DEGREES, 8 1/2" ELEVATION (DRAIN/SUCTION)
- C: 3" BHF PVC/EPDM 240 DEGREES, 42" RADIUS (VENT)
- D: 2" BHF PVC/EPDM 315 DEGREES, 42" RADIUS (FILL)
- E: 2" UBD BHF PVC/EPDM CENTER TOP (LEVEL)
- F: 2" BHF PVC/EPDM 127 DEGREES, 111" ELEVATION (OVERFLOW)

NOTE: ALL RADIUS DIMENSIONS MEASURED FROM CENTER TOP DOME



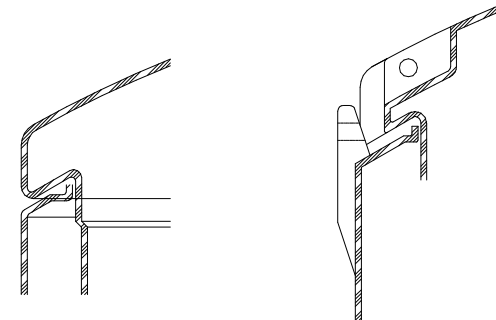
MOLDED-IN LADDER ATTACHMENT LUG

STANDARD COVER: 24\"/>(8) BOLT MANWAY COVER/PE STOCK NO. 3218



LUGS ROTATED INTO VIEW - SEE DTL "A"

NOTE: MUST USE FLEXIBLE CONNECTIONS ALL LOWER SIDEWALL FITTINGS



LIP DETAIL SCALE: 1 1/2" = 1'-0"

LIP DETAIL AT LUG SCALE: 1 1/2" = 1'-0"

NOTES:

1. THIS IS A COMPUTER GENERATED DWG. DO NOT REVISE BY HAND.
2. DIMENSIONS WILL VARY ±3% DUE TO VARIATIONS IN MULTIPLE MOLDS & CONDITIONS PREVALENT DURING MANUFACTURE & USAGE.
3. OVERALL HEIGHT DIMENSION WILL VARY WITH THE PENETRATION OF THE INNER TANK INTO THE OUTER TANK.
4. NO MOLDED IN GALLONAGE MARKERS THESE TANKS.
5. FOR INNER TANK DTLs SEE COMPUTER FILE NO. 2004400, TITLE "4400 GALLON INNER SAFE-T ." FOR OUTER TANK DTLs SEE COMPUTER FILE NO. 2104950, TITLE "4400 GALLON OUTER SAFE-TANK4950 GALLON OPEN TOP TANK."

CALCULATED CAPACITIES/ VOLUME IN U.S. GALLONS			
TANK	DESIGN CAP	DOME VOL	TOTAL VOL
INNER	4385	437	4822
OUTER	4994	N/A	4994

DWG TITLE 4400 GALLON SAFE-T ANKASSEMBLY			
SCALE: 3/8"=1'-0"	INDUSTRIAL PLASTICS CANADA LTD 625 INDUSTRIAL DRIVE PHONE 905-871-0412 FAX 905-871-6494 FORT ERIE, ONT.	DR: DL	REV
DATE: 20/7/12		CK:	
CUSTOMER	SHEET 1 OF 1	COMPUTER FILE SHYDRO4400A	REV A